

Product Range Catalogue

Aluminium parts can be offered with an anodising layer of $15\mu\text{m}$ or $25\mu\text{m}$, depending on how aggressive the environment is. Stainless Steel parts are offered in either 304 or 316 grade. Steel parts are always Hot Dipped Galvanised, never Cold Galv.

Roof Top

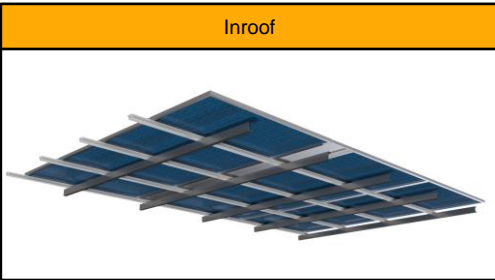
Railed



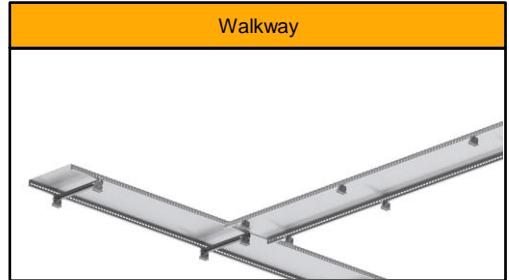
Railless



Inroof



Walkway



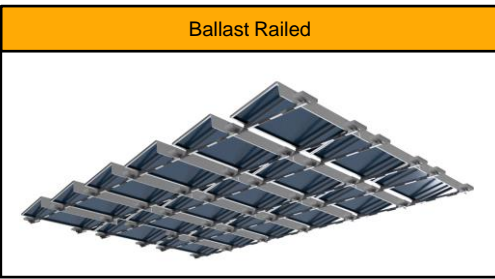
Angled Railed



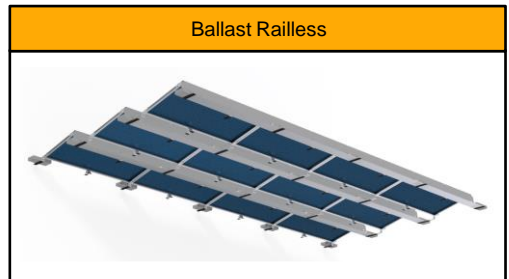
Angled Railless



Ballast Railed



Ballast Railless

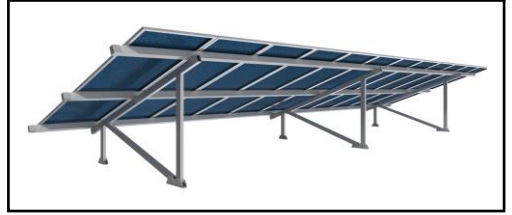


Ground Mount

Economical



Elite



Exclusive



Car Port

Economical



Elite






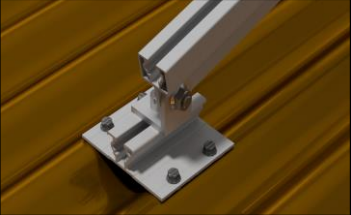

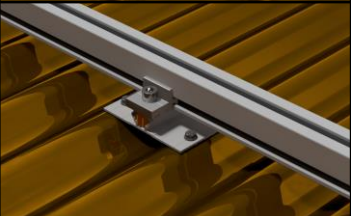

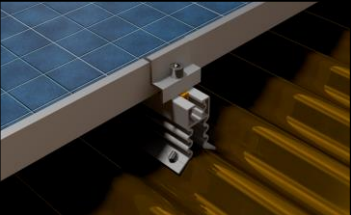
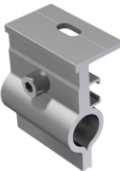
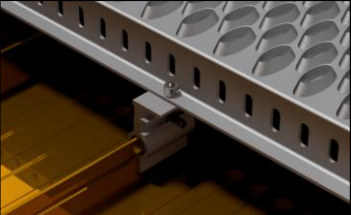



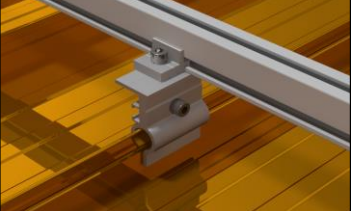
Exclusive





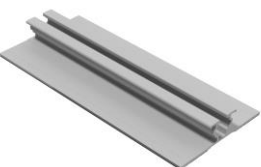






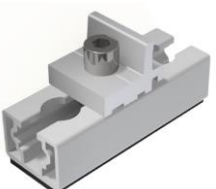


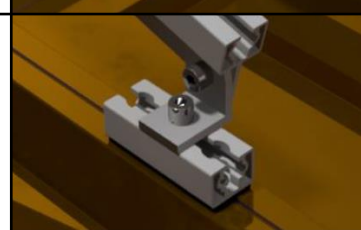


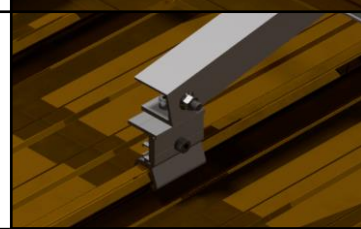

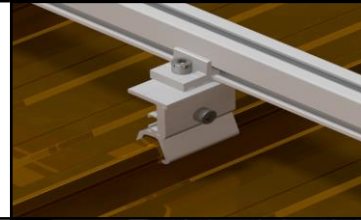

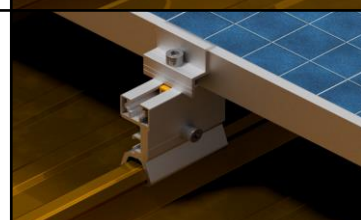
Floating

FPV







Brackets			
Product Code	Product Name	Illustration	Integration
AXE_AL_BR_COR_H	Corrugated Bracket Aluminium, Horizontal Corrugated		
AXE_AL_BR_COR_V	Corrugated Bracket Aluminium, Vertical Corrugated		
AXE_AL_BR_COR_RD	Corrugated Bracket Aluminium, Railed Corrugated		
AXE_AL_BR_COR_RL	Corrugated Bracket Aluminium, Railless Corrugated		
AXE_AL_BR_SR_H	Standing Rib Bracket Aluminium, Horizontal Dimondek / Zip-Tek		
AXE_AL_BR_SR_V	Standing Rib Bracket Aluminium, Vertical Dimondek / Zip-Tek		
AXE_AL_BR_SR_RD	Standing Rib Bracket Aluminium, Railed Dimondek / Zip-Tek		

Brackets			
Product Code	Product Name	Illustration	Integration
AXE_AL_BR_IBR_H	IBR Bracket Aluminium, Horizontal IBR		
AXE_AL_BR_IBR_V	IBR Bracket Aluminium, Vertical IBR		
AXE_AL_BR_IBR_RD	IBR Bracket Aluminium, Railed IBR		
AXE_AL_BR_IBR_RL	IBR Bracket Aluminium, Railless IBR		
AXE_AL_BR_RS_H	Rib Surface Bracket Aluminium, Horizontal Trapezium, Corrugated		
AXE_AL_BR_RS_V	Rib Surface Bracket Aluminium, Vertical Trapezium, Corrugated		
AXE_AL_BR_RS_RD	Rib Surface Bracket Aluminium, Railed Trapezium, Corrugated		

Brackets			
Product Code	Product Name	Illustration	Integration
AXE_AL_BR_RS_RL	Rib Surface Bracket Aluminium, Railless Trapezium, Corrugated		
AXE_AL_BR_RF_RD	Ridge Fix Bracket Aluminium, Railed Trapezium, Corrugated		
AXE_AL_BR_RF_V	Ridge Fix Bracket Aluminium, Vertical Trapezium, Corrugated		
AXE_AL_BR_FL_H	Fix Lok Bracket Aluminium, Horizontal Klip-Lok / Prolok / Saflok		
AXE_AL_BR_FL_V	Fix Lok Bracket Aluminium, Vertical Klip-Lok / Prolok / Saflok		
AXE_AL_BR_FL_RD	Fix Lok Bracket Aluminium, Railed Klip-Lok / Prolok / Saflok		
AXE_AL_BR_FL_RL	Fix Lok Bracket Aluminium, Railless Klip-Lok / Prolok / Saflok		

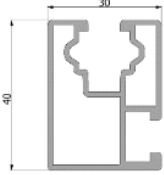
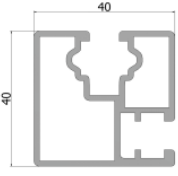
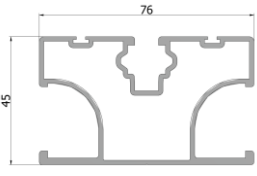
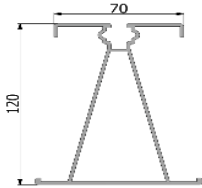
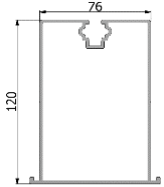
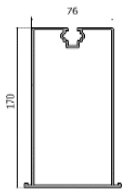
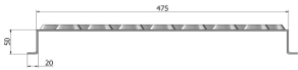
Brackets			
Product Code	Product Name	Illustration	Integration
AXE_AL_BR_PF_H	Pinch Fix Bracket Aluminium, Horizontal Craft-Lock / Brownbuilt / Dimondek		
AXE_AL_BR_PF_V	Pinch Fix Bracket Aluminium, Vertical Craft-Lock / Brownbuilt / Dimondek		
AXE_AL_BR_PF_RD	Pinch Fix Bracket Aluminium, Railed Craft-Lock / Brownbuilt / Dimondek		
AXE_AL_BR_PF_RL	Pinch Fix Bracket Aluminium, Railless Craft-Lock / Brownbuilt / Dimondek		
AXE_AL_BR_HB_H	Hanger Bolt incl. Gasket + Plate Aluminium, Horizontal Asbestos, Corrugated		
AXE_AL_BR_HB_V	Hanger Bolt incl. Gasket + Plate Aluminium, Vertical Asbestos, Corrugated		
AXE_AL_BR_HB_RD	Hanger Bolt incl. Gasket + Plate Aluminium, Railed Asbestos, Corrugated		

Brackets			
Product Code	Product Name	Illustration	Integration
AXE_AL_BR_SL_H	Spring Lok Bracket Aluminium, Horizontal Springlok		
AXE_AL_BR_SL_V	Spring Lok Bracket Aluminium, Vertical Springlok		
AXE_AL_BR_SL_RD	Spring Lok Bracket Aluminium, Railed Springlok		
AXE_AL_BR_SL_RL	Spring Lok Bracket Aluminium, Railless Springlok		
AXE_AL_BR_L_S	L-Bracket Aluminium, Slotted		
AXE_AL_BR_L_R	L-Bracket Aluminium, Rib		
AXE_AL_BR_L_F	L-Bracket Aluminium, Fixed		

Brackets			
Product Code	Product Name	Illustration	Integration
AXE_AL_BR_TH_H	Tile Hook Bracket Aluminium, Horizontal		
AXE_AL_BR_TH_V	Tile Hook Bracket Aluminium, Vertical		
AXE_AL_BR_TH_RD	Tile Hook Bracket Aluminium, Railed		
AXE_GS_BR_TH_H AXE_SS_BR_TH_H	Tile Hook Bracket, Hot Dip Galv Steel, Horizontal Stainless Steel, Horizontal		
AXE_GS_BR_TH_V_S AXE_SS_BR_TH_V_S	Tile Hook Bracket, Hot Dip Galv Steel, Vertical Sweep Stainless Steel, Vertical Sweep		
AXE_GS_BR_TH_V_E AXE_SS_BR_TH_V_E	Tile Hook Bracket, Hot Dip Galv Steel, Vertical Eco Stainless Steel, Vertical Eco		
AXE_GS_BR_TH_RD AXE_SS_BR_TH_RD	Tile Hook Bracket, Hot Dip Galv Steel, Railed Stainless Steel, Railed		

Clamping			
Product Code	Product Name	Illustration	Integration
AXE_AL_CE_AP	End Clamp Aluminium, All Purpose 30, 35 & 40mm PV Module Frame Heights		
AXE_AL_CE_CF	End Clamp Aluminium, Click Fix 30mm or 35mm PV Module Frame Heights		
AXE_AL_CM_AP	Mid Clamp Aluminium, All Purpose		
AXE_AL_CM_CF	Mid Clamp Aluminium, All Purpose 30mm or 35mm PV Module Frame Heights		
AXE_SS_EP	Earthing Plate Stainless Steel 316		

Rails and Walkways

Product Code	Product Name	Illustration	Integration
AXE_AL_L_R_40_30	Rail Profile Aluminium, 40x30 4.7m & 5.85m		
AXE_AL_L_R_40_40	Rail Profile Aluminium, 40x40		
AXE_AL_L_R_45_80	Rail Profile Aluminium, 45x80		
AXE_AL_L_R_120_70	Rail Profile Aluminium, 120x70 2.5m, 4.5m & 6.0m		
AXE_AL_L_R_120_80	Rail Profile Aluminium, 120x80 2.5m, 4.5m & 6.0m		
AXE_AL_L_R_170_80	Rail Profile Aluminium, 170x76 2.5m, 4.5m & 6.0m		
AXE_AL_WW_5700_475	Walkway Panel Aluminium, 5700x475x50		

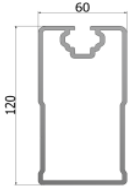
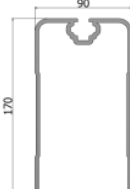




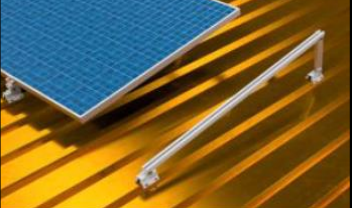
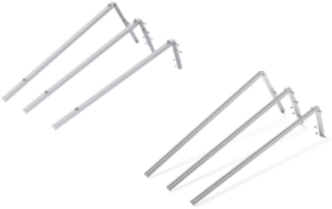
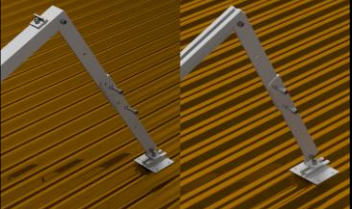

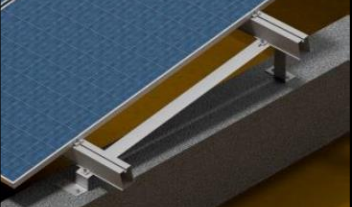
Rails and Walkways

Product Code	Product Name	Illustration	Integration
AXE_AL_EX_40	Extension Aluminium, Rail Profile 40		
AXE_AL_EX_WW	Extension Aluminium, Walkway		
AXE_AL_EX_45_76	Extension Aluminium, Rail Profile 45x76		
AXE_AL_EX_120_70	Extension Aluminium, Rail Profile 120x70		
AXE_AL_EX_120_76	Rail Profile Aluminium, Rail Profile 120x76		
AXE_AL_EX_170_76	Extension Aluminium, Rail Profile 170x76		
AXE_AL_EX_170_90	Extension Aluminium, Rail Profile 170x90		




Rails and Walkways

Product Code	Product Name	Illustration	Integration
AXE_PP_ISO	Isolation Pad Polypropylene, Rail Profile 120		
AXE_AL_CP_GM	Rail Clip Aluminium, Ground Mount		
AXE_AL_CP_RM	Rail Clip Aluminium, Roof Mount		
AXE_AL_EC_40	End Cap Aluminium, Rail Profile 40		
AXE_AL_EC_120	End Cap Aluminium, Rail Profile 120		
AXE_PE_YG	Y-Gasket Polyethylene		


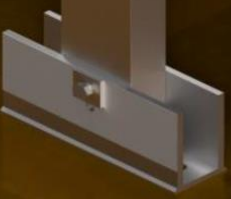








Aluminium Structural Members

Product Code	Product Name	Illustration	Integration
AXE_AL_L_RF_120_60	Rafter Profile Aluminium, 120x60		
AXE_AL_L_RF_170_90	Rafter Profile Aluminium, 170x90		
AXE_AL_L_RHS/SQR	Post Rectangular/Square Tube Aluminium Sized per project		
AXE_AL_ANG_RD	Angled Frame Aluminium, Railed 10, 15, 20, 25 & 30 degrees		
AXE_AL_ANG_RL	Angled Frame Aluminium, Railless & Walkway 10, 15, 20, 25 & 30 degrees		
AXE_AL_ANG_RL_AD AXE_AL_ANG_RD_AD	Angled Frame Aluminium, Adjustable, Railed 15 to 25 degrees/ Railless 15 to 25 degrees.		
AXE_AL_BR_PP	Parapet Bracket Aluminium 10 & 15 degrees		


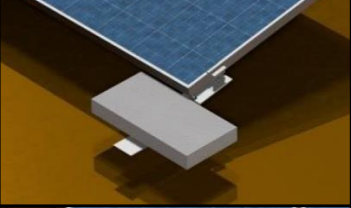
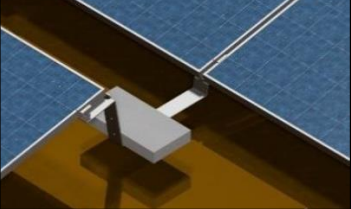

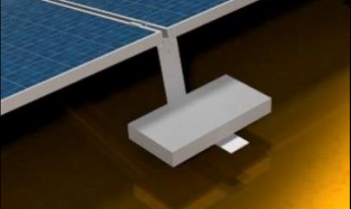



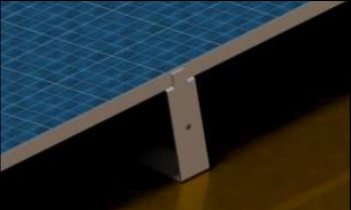
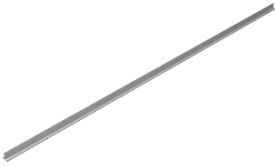
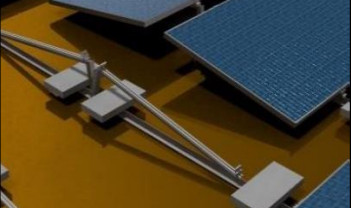
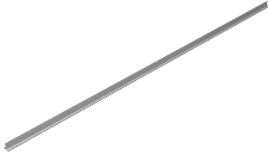

Steel Structural Members

Product Code	Product Name	Illustration	Integration
AXE_GS_L_LC	Post & Rafter Lipped Channel Hot Dip Galv Steel Sized per project		
AXE_GS_L_UB	Rafter I-Beam Hot Dip Galv Steel Sized per project		
AXE_GS_LF_UB	Post I-Beam Hot Dip Galv Steel, Flanged Sized per project		

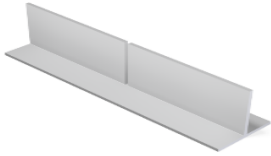
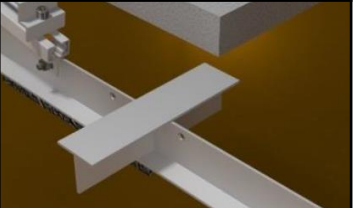


Elite System Accessories

Product Code	Product Name	Illustration	Integration
AXE_AL_BR_BS_S_50	Base Slot Bracket Aluminium, Single 50		
AXE_AL_BR_BS_S_80	Base Slot Bracket Aluminium, Single 80		
AXE_AL_BR_BS_D_50	Base Slot Bracket Aluminium, Double 50		
AXE_AL_BR_BS_D_80	Base Slot Bracket Aluminium, Double 80		
AXE_AL_CW	Chock Washer Aluminium		

Ballast System

Product Code	Product Name	Illustration	Integration
AXE_AL_BR_BL_F	Ballast Bracket Aluminium, Front 10 & 15 degrees		
AXE_AL_BR_BL_M	Ballast Bracket Aluminium, Middle 10 & 15 degrees		
AXE_AL_BR_BL_B	Ballast Bracket Aluminium, Back 10 & 15 degrees		
AXE_AL_BR_BL_FC	Ballast Bracket Aluminium, Front Centre 10 & 15 degrees		
AXE_AL_BR_BL_BC	Ballast Bracket Aluminium, Back Centre 10 & 15 degrees		
AXE_AL_L_R_BL_D	Ballast Rail Aluminium, Duo Pitch 2 & 4 Panel rails		
AXE_AL_L_R_BL_M	Ballast Rail Aluminium, Mono Pitch 1, 2 & 3 Panel rails		


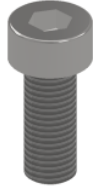
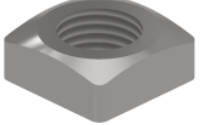


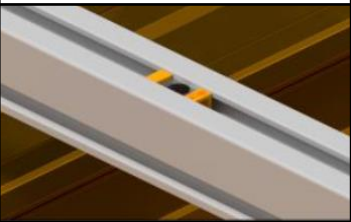
Ballast System

Product Code	Product Name	Illustration	Integration
AXE_AL_BR_BL	<p align="center">Ballast Bracket Aluminium, Support for weight</p>		
AXE_AL_PWD	<p align="center">Wind Deflector Plate Aluminium, 10 & 15 degrees 2000, 2100, 2200 & 2300mm Wide</p>		

Floating System

Product Code	Product Name	Illustration	Integration
AXE_AL_BR_FB	Floating Block Bracket Aluminium		
AXE_PE_FB_500_450	Floating Block HDPE, 500x500x450 – 90kg		
AXE_PE_FP	Floating Pin Connector HDPE, M55		
AXE_PE_FN	Float Nut Connector HDPE, M55		
AXE_PE_FC	Float Centre Fixing HDPE, M55		
AXE_PE_FS	Float Connecting Spacer HDPE, M55		

Fasteners

Product Code	Product Name	Illustration	Integration
AXE_GS_BH AXE_SS_BH	Bolt Hexagon, Hot Dip Galv Steel Bolt Hexagon, Stainless Steel Size and length as per application		
AXE_SS_CS	Cap Screw Hexagon Stainless Steel Size and length as per application		
AXE_SS_NHF	Hex Flange Nut Stainless Steel Size as per application		
AXE_GS_NH AXE_SS_NH	Hex Nut, Hot Dip Galv Steel Hex Nut, Stainless Steel Size as per application		
AXE_SS_NSQ_8	Square Nut Stainless Steel, M8		
AXE_PS_ST_6.3	Selfdril Tek Screw Passivated Steel, Tapered M6.3x22		
AXE_PP_NST_8	Nut Stopper Polypropylene, M8		
AXE_GS_WS AXE_SS_WS	Spring Washer, Hot Dip Galv Steel Spring Washer, Stainless Steel Size as per application	